

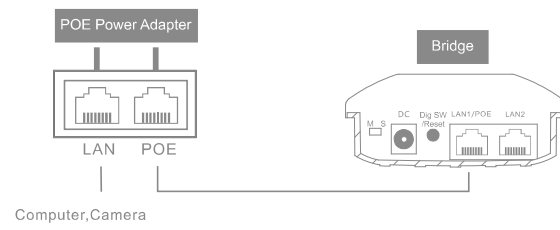
# **Outdoor Wireless Digital Bridge/CPE**

**Quick Setup Wizard**

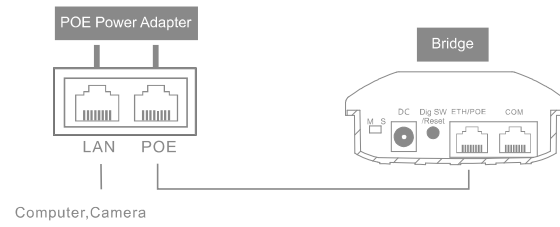
V1.0

## Hardware connection schematic diagram

### 2G Bridge



### 5G Bridge



### **Interface Descriptions**

DIP Switch: To adjust the transformation between the "Master AP" mode and the "Subordinate AP" mode of the bridge.(M)(S)

DC: Power interface, 12V 1A DC power interface.

Digital Switch/Reset: Both digital switch and reset button, short press the button when electrifying, the numeric value of the digital tube will be added one and press 15 seconds, the device will be restored to the factory setting. (Dig SW/Reset)

#### **2G Bridge**

LAN1/POE: This is a data transmission port, and it is also a power port. When the device works in the bridge mode, the interface acts as a LAN port function. When the device works in the route mode, the interface acts as a WAN port function. This interface is used to connect the POE interface to the POE power.

LAN2: This is a LAN data transmission port which can connect computers, cameras, switches and other devices.




#### **5G Bridge**

ETH/POE interface: This is a data transmission port, and it is also a power port. When the device works in the bridge mode, the interface acts as a LAN port function. When the device works in the route mode, the interface acts as a WAN port function. This interface is used to connect the POE interface to the POE power.



COM: It is a debugging interface.

### **Indicator light state description**

#### **2G Bridge**

<p>SIG1,SIG2 SIG3,SIG4</p>	<p>Signal indicator:  <b>Master AP:</b> Output power indicator lamp.  When the output power is less than 17 dbm,the SIG1 light lit,the output power is between 17~19dbm,the SIG1-SIG2 lights lit,the output power is between 20~22dbm,the SIG1-SIG3 lights lit, the output power is at 23dbm and above,the SIG1 to SIG4 lights lit.  <b>Subordinate AP:</b> Signal connection intensity indicator  Running flowing water light when connection fails.  When the connection is successful and the signal intensity in the range of 0~-65dbm, the SIG1 to SIG4 lights lit,the signal intensity in the -66~-75dbm, the SIG1 to SIG3 lights lit,the signal intensity in -76~-85dbm, the SIG1 to SIG2 lights lit,the signal intensity in the -85dbm and below, the SIG1 light lit.</p>
<p>LAN1/LAN2</p>	<p>Port state indicator lamp:When the wire is connected, it is always bright and goes out when it is broken</p>
	<p>The lights flicker when the bridge is running normally.</p>
	<p>Power indicator lamp:When the power is electrified, the lamp is always bright and goes out when it is broken.</p>
	<p>Digital tube indicator lamp:Short press "digital switch / reset"button, each digital tube value wil add one (0-9-A-F cycle).</p>

### 5G Bridge

<p>SIG1, SIG2 SIG3, SIG4</p>	<p>Signal indicator:  <b>Master AP:</b> Output power indicator lamp.            When the output power is between 3~9dbm, the SIG1 light lit, the output power is between 10~16dbm, the SIG1-SIG2 lights lit, the output power is between 20~22dbm, the SIG1-SIG3 lights lit, the output power is at 23dbm and above, the SIG1 to SIG4 lights lit.  <b>Secondary AP:</b> Signal connection intensity indicator            Running flowing water light when connection fails.            When the connection is successful and the signal intensity in the range of 0~-65dbm, the SIG1 to SIG4 lights lit, the signal intensity in the -66~-75dbm, the SIG1 to SIG3 lights lit, the signal intensity in -76~-85dbm, the SIG1 to SIG2 lights lit, the signal intensity in the -85dbm and below, the SIG1 light lit.</p>
<p>ETH</p>	<p>Port state indicator lamp; When the wire is connected, it is always bright and goes out when it is broken.</p>
	<p>Power indicator lamp; When the power is electrified, the lamp is always bright and goes out when it is broken.</p>
	<p>Digital tube indicator lamp; Short press "digital switch / reset" button, each digital tube value will add one (0-9-A-F cycle).</p>

### Fast pairing of digital switch

#### One to one pairing method

- 1.Dial a bridge to "M" and the another bridge to "S".
- 2.Short press "Dig SW / Reset" button, each digital tube value will add one(0-9-A-F cycle).
- 3.The paired bridge is set to the same value and can be paired successfully.

#### One to multiple pairing method

- 1.Dial a bridge to "M" and the another bridges to "S".
- 2.Short press "Dig SW / Reset" button, each digital tube value will add one(0-9-A-F cycle).
- 3.The paired bridge is set to the same value and can be paired successfully.

### Digital tube and wireless channel comparison table

#### 2G Bridge

Value	0	1	2	3	4	5	6	7	8	9	A	b	C	d	E	F
Channel	1	2	3	4	5	6	7	8	9	10	11	28	32	36	40	44

#### 5G Bridge

Value	0	1	2	3	4	5	6	7	8	9	A	b	C	d	E	F
Channel	36	40	44	48	52	56	60	64	149	153	157	161	182	186	190	194

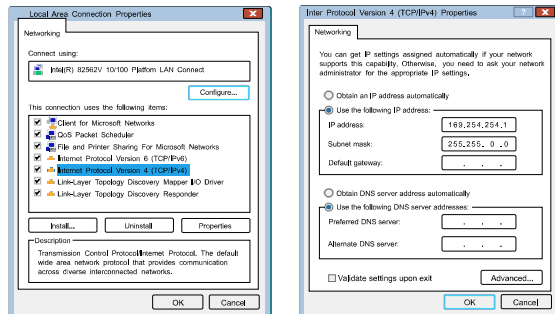
**Note:**

- 1.The default channel bandwidth of the wireless bridge is 40MHz.
- 2.The number of channels supported by some wireless bridges will vary . Please refer to the actual product.

**Setting up a bridge in a browser**

**Computer settings:**


- 1)Open the computer--Right click [Internet] - [Attribute] - [Change adapter settings] ;
- 2)Right click of the mouse click [Local connection],Select [Attribute] ;
- 3)Double-click the [Internet protocol version 4 (TCP/IPv4)] in the connection properties dialog box project(as show in the left below).
- 4)In the [Internet protocol version 4] dialog box, choose [use the following IP address] and set the IP address to 169.254.254.X (X is any number between 1-253), and the subnet mask is set to 255.0.0.0 (as show in the right below). Finally,click [OK] and quit.



### Login management interface

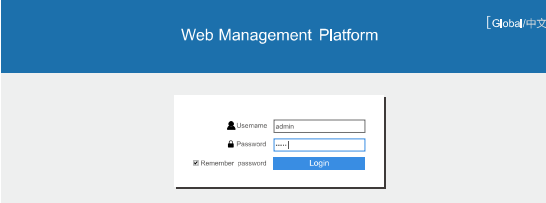
The default mode of the device is the bridge mode, open the computer browsers, after entering its address 169.254.254.254, the bridge device list will be displayed, and clicks on the [login] button to log in to the device.

**Note:** Some wireless bridges do not have "Bridge Device List" function. Please refer to the actual product for details.



ID	MAC	IP address	Wireless mode	Status	Operate
1	18:42:a4:00:00:02	169.254.254.111	Server Mode	Online	Login

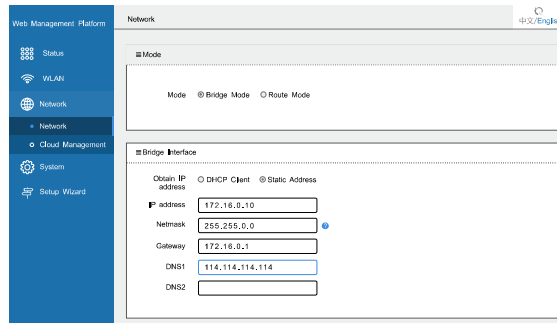
The username and password of the web management platform are all admin, click the [login] button to log in to the device.



### Network settings

Configuring the mode and bridge interface according to the network usage of the site. [Bridge mode] refers to the wireless transmission of data by the device. [Route mode] refers to the device's NAT conversion and wireless transmission of the data.





**Description:**The device supports bridge mode and route mode in the "M AP" mode, but only support the bridge mode in the "S AP" mode.

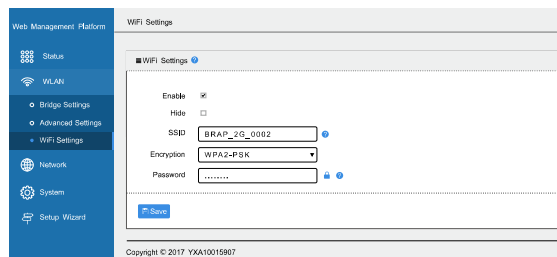
### Wifi settings

**Note:** Some wireless bridges do not have this function. Please refer to the actual product for details.

The default WiFi name of the 2G Bridge is Brap-2G-XXXX, the password is 88888888.

The default WiFi name of the 5G Bridge is Brap-5G-XXXX, the password is 88888888.

Computers, mobile phones, and other terminals can be wirelessly connected to the device through this signal. (Remarks: XXXX is the last four bits of the bridge's MAC address)



**Description:**The device launches the WiFi signal in the main AP mode. In the secondary AP mode, the WiFi signal is transmitted only after the bridge pairing is successfully connected.

#### Bound cloud end

**Note:** Some wireless bridges do not have this function. Please refer to the actual product for details.

If the device is connected to the Internet, you can configure the [bridge interface] information. After the device is connected to the Internet, it can be remotely managed by the cloud.

1. Login "www.tianwifi.net".net to apply for a cloud account.
2. Fill in your cloud account in the "username" column.
3. The server address bar is filled in "www.tianwifi.net".
4. The device description bar suggests filling up the installation location for later management.
5. Click the [Save] button, prompting the connection state: Connected to www.tianwifi.net, which indicates that the device has successfully bound the cloud platform.

Web Management Platform Cloud Management

General Item

Username

Server address

Device description

Connection status Connected to www.tianwifi.net

[Save](#)

### Cloud management

- 1.Login cloud platform:www.tianwifi.net.
- 2.Click on [ Area list ] -- [ Management ] -- [ Device management ] ,find the binding bridge, click[Remote management ] button and you can remote login management.

Home Data Statistics Business SD-WAN Users example Sign Out +5/English

Device List Area List Device Map

Regional Information **Device Management** Authentication Management Advertising Management

Device Management

On

Current total users 0

Hardware model	BRAP	<a href="#">Moving</a>
Device ID	18-40-a4-zb-80-89	<a href="#">Editing</a>
Firmware version	V1.0-201712291033	
Online Time	2018/10/10 10:10:10	
Device Description	N536-2	

[Remote management](#)

PS:Cloud management only supports remote configuration of devices.There is no limit to the number of cloud bound devices.But it does not support authentication, data statistics, and business functions.